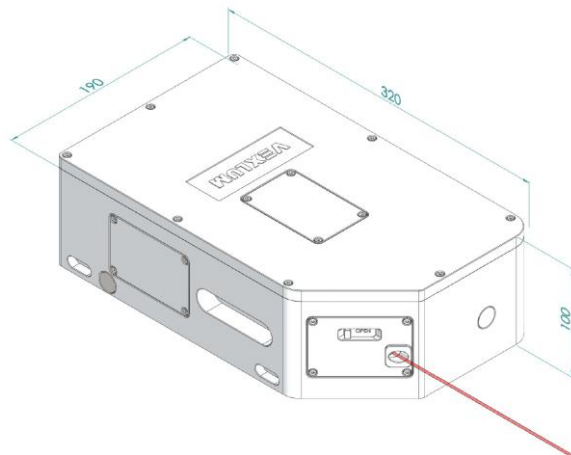


**VALO SF  
SINGLE-FREQUENCY NIR VECSEL**



- ▶ Turn-key VECSEL system for research (Vertical-External-Cavity Surface-Emitting Laser)
- ▶ Broad wavelength coverage at near infrared
- ▶ Single-frequency
- ▶ Tunable
- ▶ Excellent beam quality

Wavelength	800 – 1400 nm + 1950 – 2100 nm. In development: 7xx, and 14xx nm
CW power	1–4 W with the integrated pump laser; up to 12 W with external pump laser
Tuning (typical)	Coarse: ~10 THz around the center wavelength Fine: >2 GHz mode-hop free
Locked linewidth	<100 kHz
Beam quality	$M^2 < 1.1$
Frequency locking	Readiness with cavity piezo
VECSEL head size	320 mm x 190 mm x 100 mm (L x W x H)
System includes	VECSEL head with integrated pump laser VALO Control Unit for CW operation, 19"-rack installable Low vibration chiller (water to air heat-exchanger), 19"-rack installable



**PNEUM Co., Ltd.**

5-15-3 Minamikoshigaya, Koshigaya-shi,  
Saitama-ken, 343-0845, Japan

TEL: 81-48-985-2720

FAX: 81-48-985-2721

info@pneum.co.jp 2110