

VORTRAN LASER TECHNOLOGY, INC

STRADUS™ LITE – OEM LASER HEAD

Low Cost Without Compromise

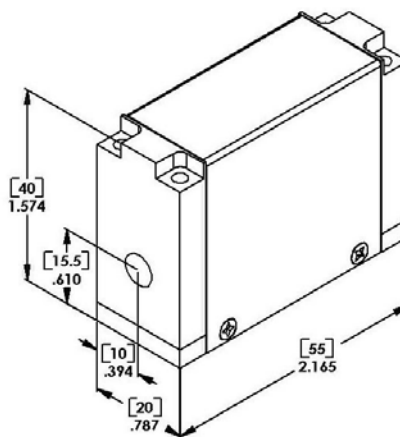
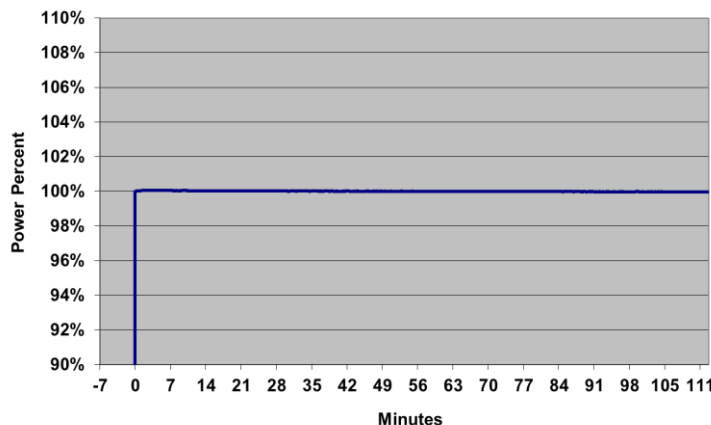
The Stradus™ Lite diode laser module is the economical version of the standard Stradus™ laser module. The Stradus™ Lite features a much smaller footprint, higher efficiency, and the same excellent performance. It is a CW mode operation only with microprocessor control with no external electronics required. This smaller, cost sensitive solution uses all of the technology from our full featured Stradus™ laser modules in the smallest footprint available for a high performance laser module system. Just supply DC current and the Stradus™ Lite does the rest.



- Medical, Biomedical & Industrial
- Patented Sealed Optical Cavity
- Excellent Beam & Stability
- Self-contained & Compact
- Low Optical Noise
- OEM Head Only

Wavelength range (nm) Note: Center Wavelength typ. +/-5nm	375 - 785
Power (mW)	5-100
Spatial Mode	TEM ₀₀
Beam Type	Elliptical (~2:1 or 3:1)
Beam Divergence (mrad)	<1.0
M ² (typical)	< 1.25
Beam Centration (mm)	< 0.5
Beam Alignment (mrad)	< 5
Pointing Stability (μrad/°C)	< 5
Power Stability (over 24 hours)	< 0.5%
Polarization Orientation	Vertical ±5°
Polarization Extinction Ratio	>100:1
RMS Noise (10Hz to 10MHz)	<0.2%
Input Power (Head)	5V DC, 1.5A (max)
Storage Temperature	-10°C to +60°C
Operating Temperature	+10°C to +45°C
Laser Head Weight	66g
CDRH Class	Class IIIb
ESD Protection	Class 4
RoHS Compliance	EU and China

Stradus Lite 488-50 Startup Power vs Time



www.vortranlaser.com
sales@vortranlaser.com

21 Goldenland Court #200
Sacramento, CA 95834
Phone 916.283.8208
Fax 916.648.9751

