



HarmoniXX

The **HarmoniXX SHG for taccor** is a frequency converter that is optimized for use with the **Laser Quantum taccor power**. It converts the output pulses of the **taccor** to their Second Harmonic (SHG) with an output power of up to 250 mW.

Great care has been taken to optimize the conversion efficiency with minimum pulse broadening and outstanding pointing stability.

The instrument design focuses on user-friendliness and compactness. The one box system is easy to install and align. Even users with no previous experience need only minimum training to use the system successfully.

- High conversion efficiency and minimum pulse broadening
- Easy alignment
- Excellent pointing stability



Specifications

Power

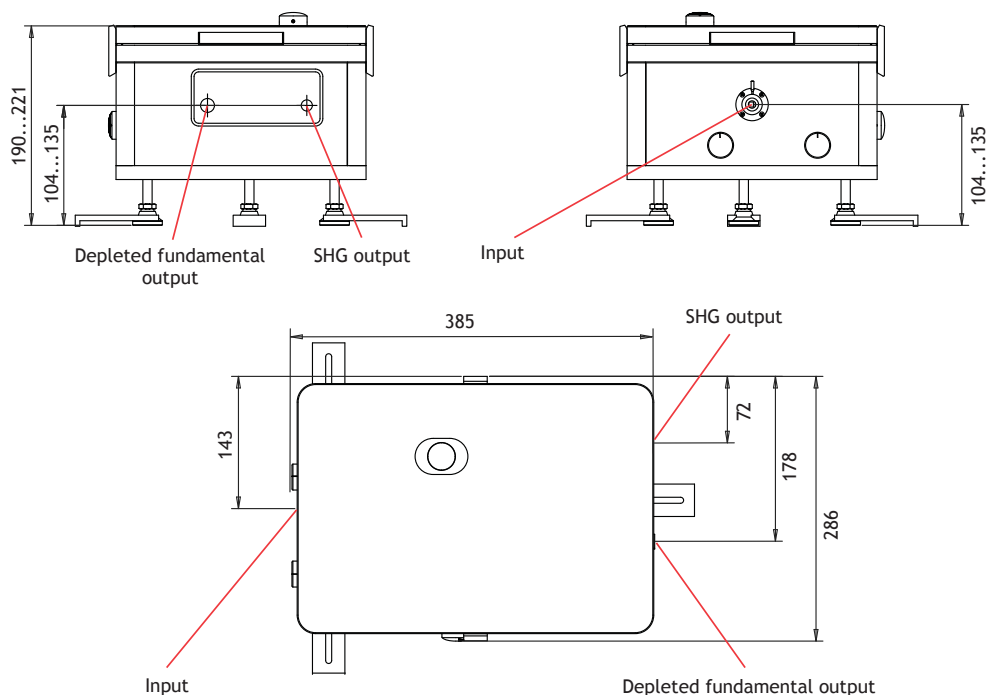
Input wavelength	approx. 800 nm (\pm 20 nm)
SHG	approx. 400 nm (\pm 10 nm)

Conversion efficiency

Input repetition rate	1 GHz	
Input pulse width	approx. 20 fs	
Input bandwidth	approx. 30 nm	
Input power	1.0 W	1.8 W
SHG output power	75 mW	250 mW
SHG conversion efficiency	7.5 %	14 %
Output bandwidth	approx. 8.5 nm	

Dimensions (in mm)

385 x 221 x 286 (W x H x D)



Contact:

A-P-E Angewandte Physik & Elektronik GmbH
 Plauener Str. 163-165 | Haus N | 13053 Berlin | Germany
 T: +49 30 986 011-30 | E: sales@ape-berlin.de | www.ape-berlin.de

or
 A-P-E America (for the Americas)
 45401 Research Avenue | Suite 141 | Fremont, CA 94539 | USA
 T: +1 (888) 690 3250 | E: sales@ape-america.com | www.ape-america.com

PNEUM Co., Ltd.

5-15-3 Minamikoshigaya, Koshigaya-shi,
 Saitama-ken, 343-0845, Japan

TEL: 81-48-985-2720
 FAX: 81-48-985-2721
 info@pneum.co.jp 1803

A-P-E follows a policy of continued product improvement.
 Therefore, specifications are subject to change without notice.
 © A-P-E GmbH | November 2015