

Cobolt 04-01 Fiber Pigtailed



True fiber pigtail option for 04-01 Series diode pumped lasers

- True fiber pigtail inside a hermetically sealed package
- SM/PM fiber
- Stable output over time and various temperature conditions
- Insensitive to transport conditions
- 473 nm, 491 nm, 515 nm, 532 nm, 561 nm, and 594 nm

The Cobolt 04-01 Series of compact high performance single frequency diode pumped lasers can be supplied with robust fiber delivery option.

The fiber is permanently aligned and fixed inside the hermetically sealed package using Cobolt's proprietary HTCure™ Technology, providing stable output over a large temperature range and insensitive to transport conditions.

The design is suitable for OEM use and type of fiber, connector and lengths can be customized. The coupling efficiency (into SM/PM fiber) is typically > 80 %, output power is specified as out of the fiber.

Cobolt 04-01 Fiber Pigtailed Specifications

	Blues™	Calypso™	Fandango™	Samba™	Jive™	Mambo™
Wavelength in air (nm)	473.0 ± 0.3	491.5 ± 0.3	514.4 ± 0.3	532.1 ± 0.3	561.2 ± 0.3	593.6 ± 0.3
Maximum Power (mW) - Out of fiber	35	100	100	150	100	75
Long-term stability (8 hrs ± 3°C)	< 3%					
Numerical Aperture (NA)	0.095					
Fiber Output	FC/APC, 8°, non-collimated					
Fiber Type	SM/PM					
Polarization	PER > 100:1, ± 2°					
Standard Fiber Length	1 (m)					
Jacketing	Ø 3mm, Stainless Steel					
Total system power consumption	< 35 W, typical < 15 W					
Operating temperature	10-40°C					
Maximum laser head baseplate temp.	50 °C					
Heat sink thermal resistance <small>Recommended</small>	0.6 K/W or 0.4 K/W *					
Laser head dimensions [mm]	117 x 60 x 45					
[inches]	4.6 x 2.4 x 1.6					
Controller dimensions [mm]	190 x 72 x 28					
[inches]	7.5 x 2.8 x 1.1					
Communication	RS-232 or USB					
Model number structure		CDRH/CE (key-switch for on/off)		OEM (auto-start mode)		
	RS-232	wavel-04-03-pwr-500		wavel-04-03-pwr-600		
	USB	wavel-04-03-pwr-700		wavel-04-03-pwr-800		
Warranty	24 months on the laser (12 months for <i>Jive™</i> 100 mW and <i>Samba™</i> 150 mW)					

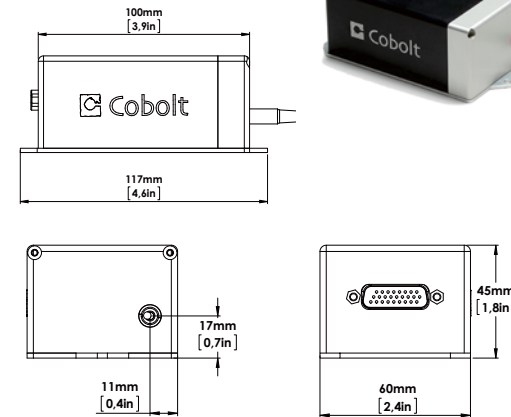
Laser performance specifications not in this datasheet can be found on the Cobolt 04-01 Series datasheet.



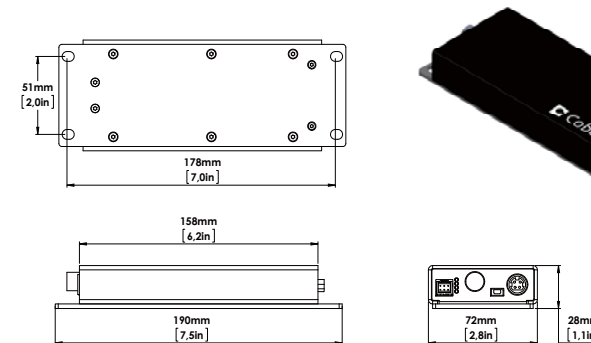
HTCure™ is a Cobolt proprietary technology for manufacturing of ultra-robust and reliable laser sources, allowing Cobolt to offer market leading warranty terms. Lasers built using HTCure™ Technology have shown to withstand 60G mechanical shocks in operation as well as extreme storage temperature shocks (-30 to >100 degC) without any sign of degraded performance.



Laser Head



Controller



Options & Accessories

- Customized controller cable
- Laser head heatsink

PNEUM Co., Ltd.

5-15-3 Minamikoshigaya, Koshigaya-shi,
Saitama-ken, 343-0845, Japan

TEL: 81-48-985-2720

FAX: 81-48-985-2721

info@pneum.co.jp 1606