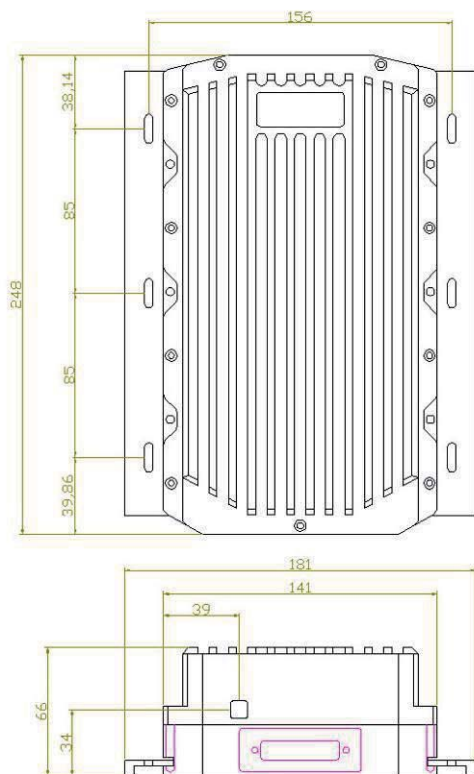


### BLM-30kBX

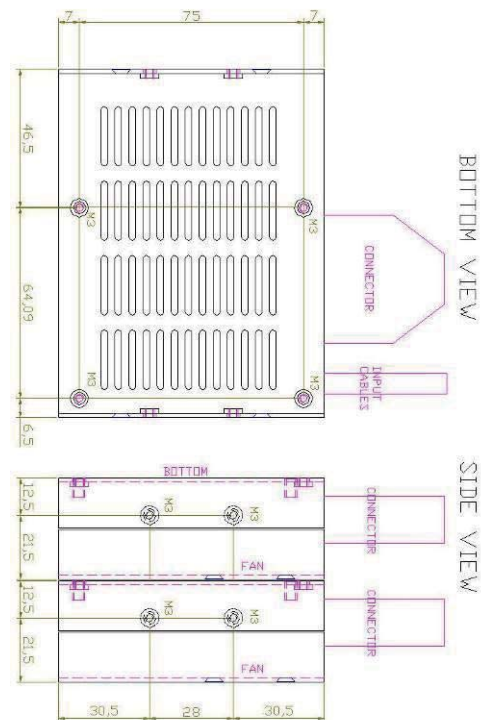
Model Nr.		BLM-30kBX
Optical power (mW)		24 W
Center wavelength (nm)		445-450
Center wavelength tolerance (nm)		± 5
Beam size (FWHM, mm) (horizontal*vertical)		12 x 10
Beam divergence (half angle, horizontal/vertical, mrad)		1.1 / 0.3
Linear polarization		N
M <sup>2</sup> (horizontal/vertical)		50 / 11
Modulation freq.(kHz)		100
Power requirements (peak power consumption)	LD1 circuit	24V / 5A
	LD2 circuit	24V / 5A
	TEC1 circuit	24V / 12A*
	TEC2 circuit	24V / 12A*
Dimensions of laser head only (LxWxH,mm)		248x141x66
Driver dimensions (LxWxH,mm)		117x89x69

\* the actual power may vary with heat sink quality

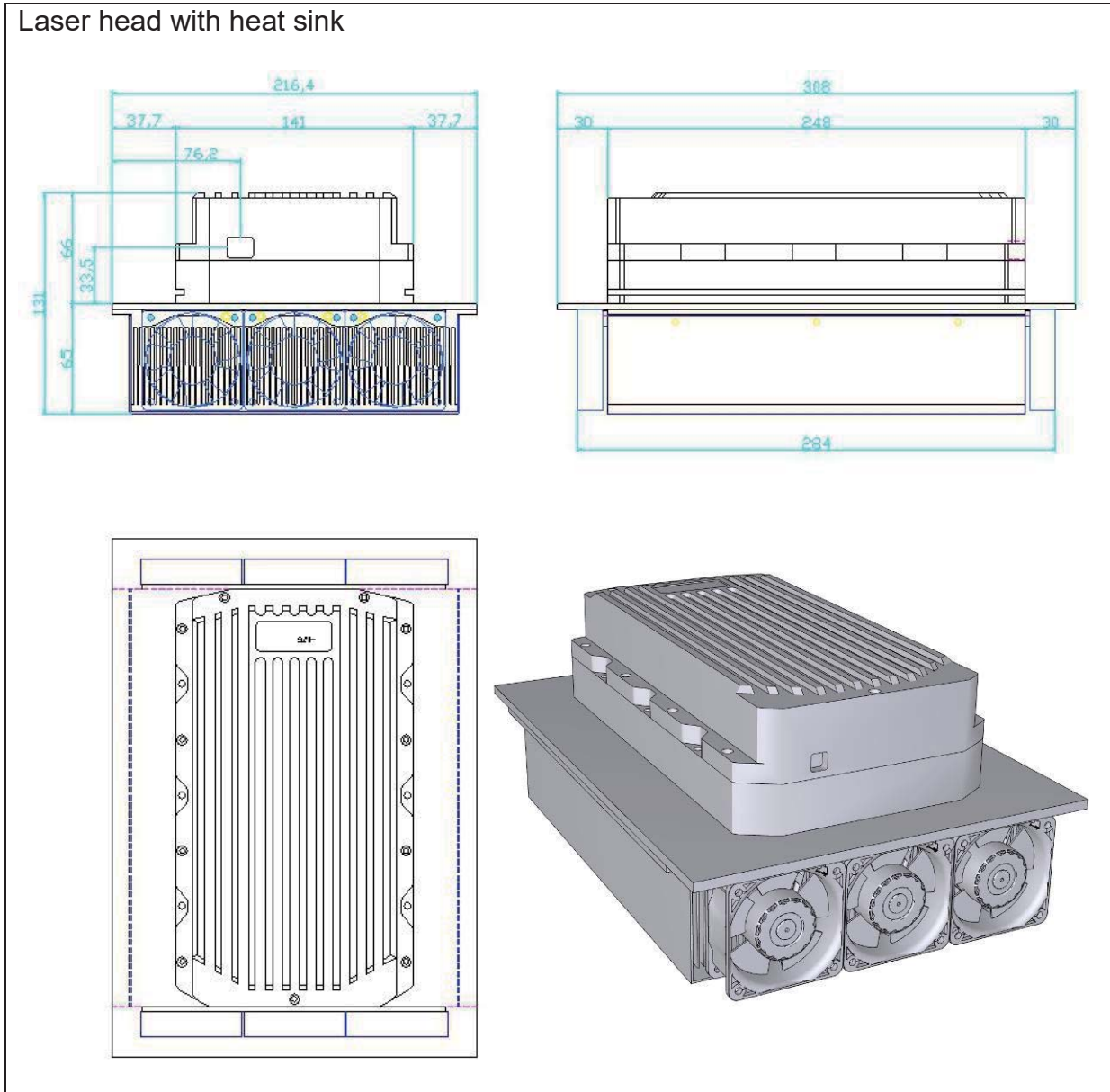
Laser head without heat sink



External dual OEM driver



Laser head with heat sink



**PNEUM Co., Ltd.**

5-15-3 Minamikoshigaya, Koshigaya-shi,  
Saitama-ken, 343-0845, Japan

TEL: 81-48-985-2720

FAX: 81-48-985-2721

info@pneum.co.jp 1601