

UVTOP280

Absolute Maximum Ratings at $T_A = 25\text{ }^\circ\text{C}$

Parameter	Unit	Maximum Rated Value
Power Dissipation, DC	mW	180 (TO-39)
Forward Current, DC	mA	30
Pulse Forward Current (Duty Factor = 1%, Frequency = 1KHz)	mA	200
Reverse Voltage	V	6
Operating Temperature Range	$^\circ\text{C}$	- 30 to + 55
Storage Temperature	$^\circ\text{C}$	- 30 to +100

Electro-Optical Characteristics at $T_A = 25\text{ }^\circ\text{C}$, $I_F = 20\text{ mA}$


Peak Wavelength λ_p (nm)	PKG Type	Lens Type	Part Number	Optical Power P_{out} (μW)		Forward Voltage V_F (V)		Viewing Angle $2\theta_{1/2}$ ($^\circ$)	FWHM (nm)	
				Min	Typ.	Typ.	Max	Typ.	Typ.	Max
285 Min: 280 nm Max: 290 nm	TO-18	FW	UVTOP280 TO18FW	300	500	5.8	7.0	120	12	15
		BL	UVTOP280 TO18BL	300	500	5.8	7.0	10	12	15
	TO-39	FW	UVTOP280 TO39FW	480	800	5.8	7.0	120	12	15
		HS	UVTOP280 TO39HS	360	600	5.8	7.0	7	12	15
		BL	UVTOP280 TO39BL	360	600	5.8	7.0	7	12	15
		TFW	UVTOP280 TO39TFW	180	300	5.8	7.0	120	12	15
		TFWR	UVTOP280 TO39TFWR	240	400	5.8	7.0	120	12	15

Notes:

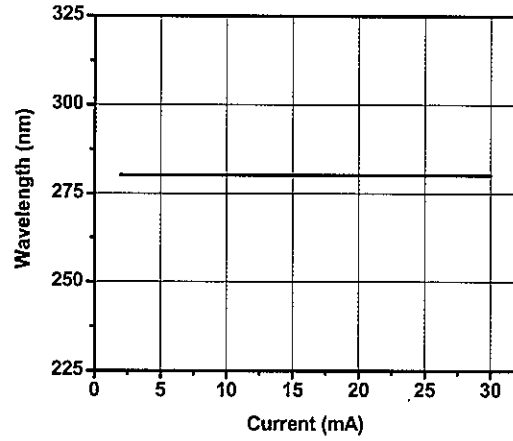
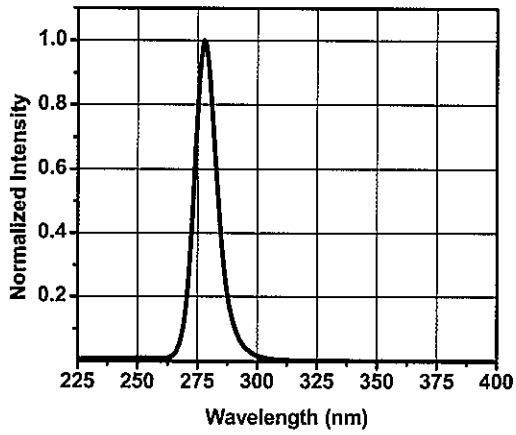
Peak wavelength measurement tolerance is +/- 2 nm

Optical power output measurement tolerance is +/- 10%

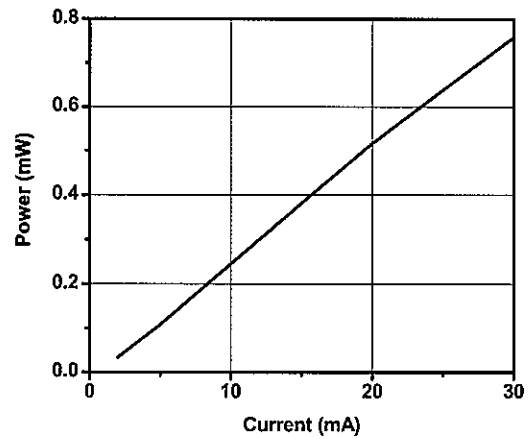
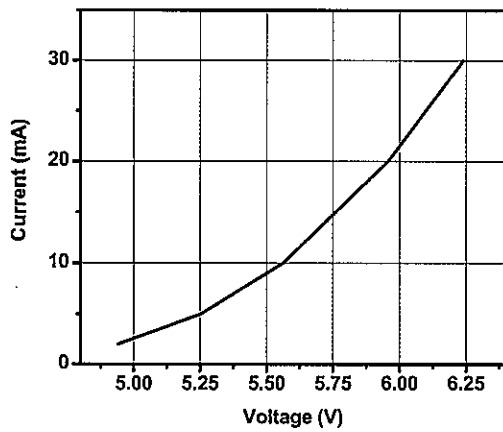
Forward voltage measurement tolerance is +/- 2%

	<ul style="list-style-type: none"> ▪ This UV LED radiates intense UV light during operation. Do not expose any part of a human body to UV light. This can be harmful especially to the eyes and skin, even for a brief period due to the intense UV light. ▪ If viewing the UV light is necessary, please use UV filtered glasses to avoid damage by the UV light. ▪ If the UV LED in your product might be viewed directly, please affix a caution label to your production to that effect.
---	---

Typical Spectral Characteristics



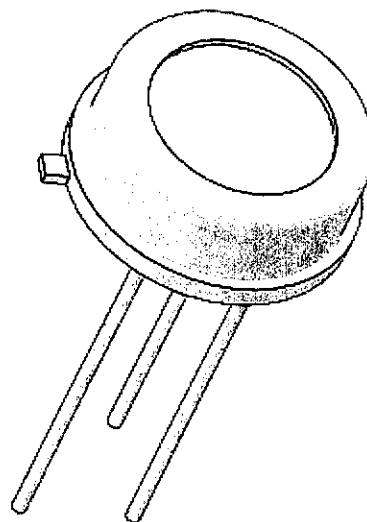
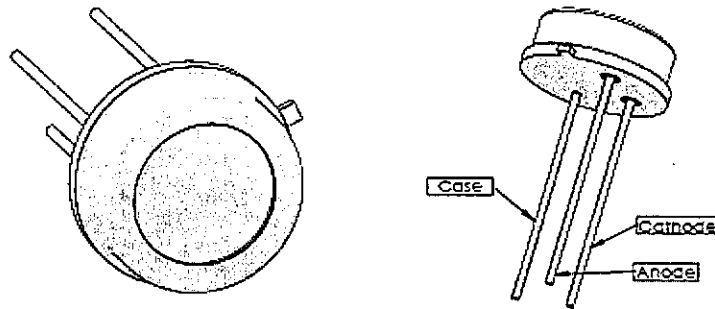
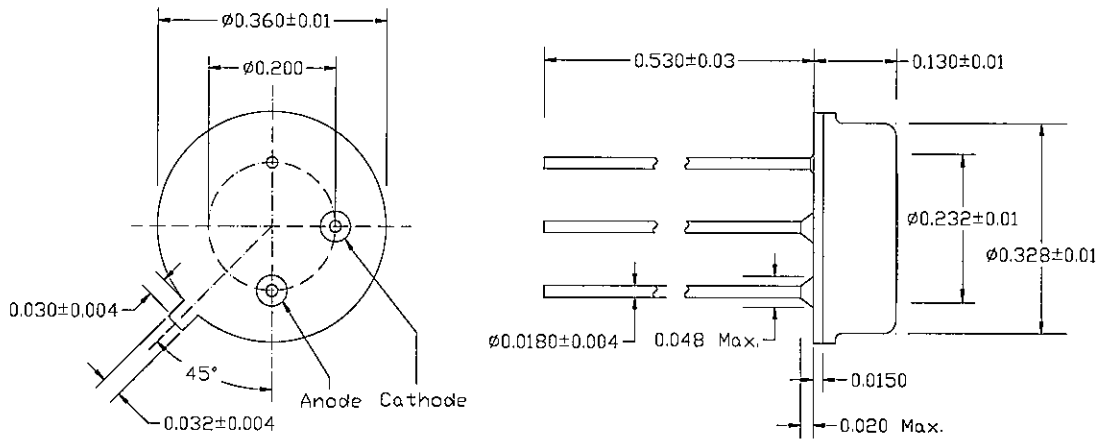
Typical LED Performance at $T_A = 25^\circ\text{C}$ (UVTOP280TO39BL)



- This UV LED radiates intense UV light during operation. Do not expose any part of a human body to UV light. This can be harmful especially to the eyes and skin, even for a brief period due to the intense UV light.
- If viewing the UV light is necessary, please use UV filtered glasses to avoid damage by the UV light.
- If the UV LED in your product might be viewed directly, please affix a caution label to your production to that effect.

Outline Drawings

TO-39 with Flat Window



Notes: All dimensions are in inches. Dimensions without tolerances are nominal.



- This UV LED radiates intense UV light during operation. Do not expose any part of a human body to UV light. This can be harmful especially to the eyes and skin, even for a brief period due to the intense UV light.
- If viewing the UV light is necessary, please use UV filtered glasses to avoid damage by the UV light.
- If the UV LED in your product might be viewed directly, please affix a caution label to your production to that effect.

Outline Drawings

TO39 with Flat Window

